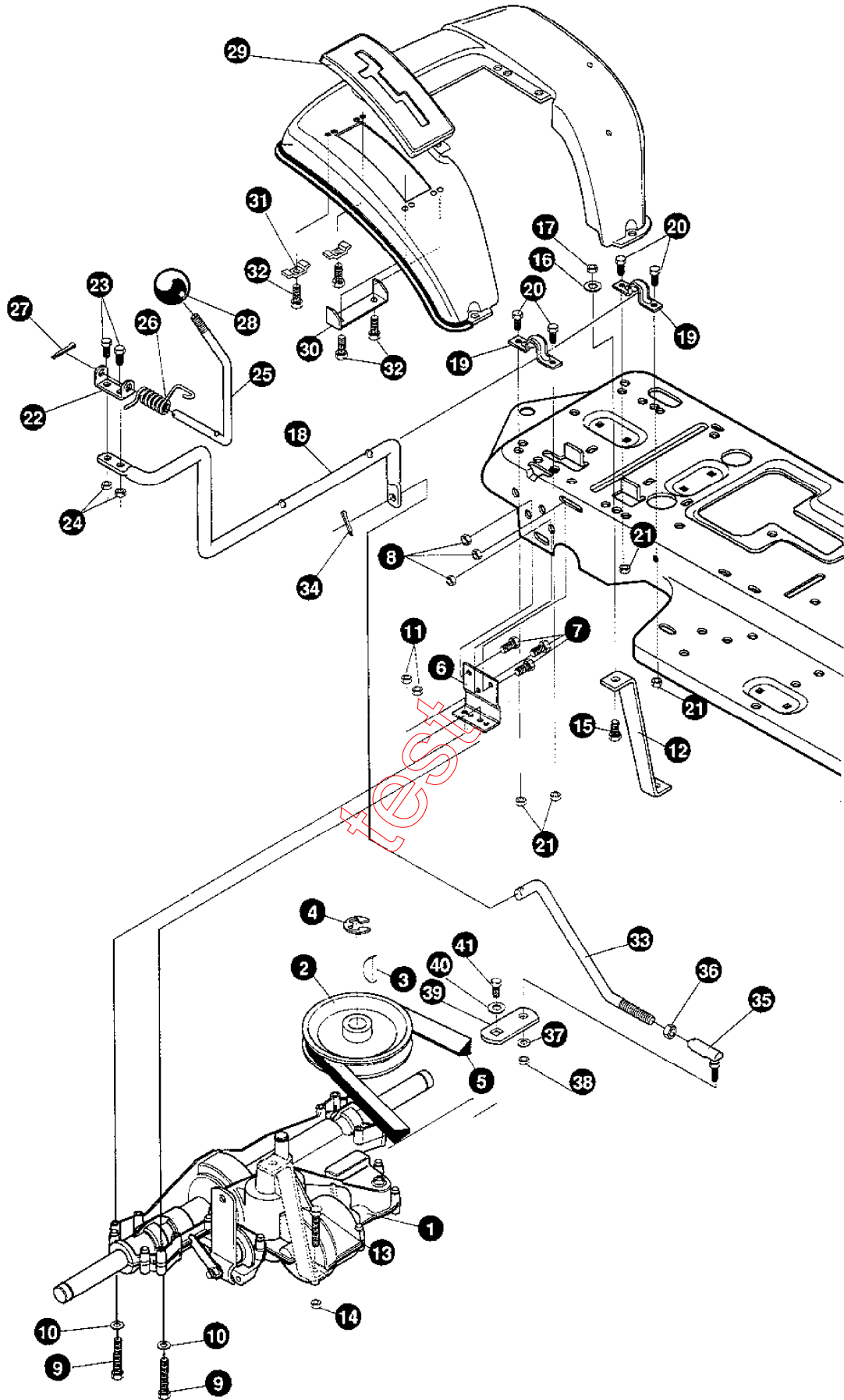


STIGA
440
SPARE PARTS

Section: 12/39 MOTION DRIVE

Pos.	Quantity	Spare part No	Description	Kit	Notes	New
	8712					
50	1	1133-0111-01	Belt guide			
51	1	9795-3631-02	Nut			
52	2	9699-0028-02	Flat washer			
53	1	9743-3621-32	Nut			
54	1	1133-0323-01	Brake pedal			
55	1	1133-0613-01	Clevis pin			
56	1	1133-0322-01	Spacer			
57	1	9598-0002-02	Pin lock			
58	1	1133-0476-01	Pedal pad			
59	1	1133-0701-01	Idler arm			
60	1	1133-0075-01	Shoulder bolt			
61	1	1133-0012-01	Washer			
62	1	9699-0078-02	Washer			
63	1	9743-3621-32	Nut			
64	1	1133-0760-01	Spring			
65	1	1133-0063-01	Belt retainer			
66	1	1133-0470-01	Idler pulley			
67	1	1133-0084-01	Carriage bolt			
68	1	9743-3721-32	Nut			
69	1	1133-0079-01	Clutch rod			
70	1	1133-0116-01	Spring			
71	1	1133-0709-01	Traction brake brkt			
72	1	1133-0768-01	Bolt			
73	1	9743-3621-32	Nut			
74	1	1133-0710-01	Brake rod			
75	1	1133-0664-01	Clutch spring			
76	1	9743-3521-32	Nut			
78	2	9545-0500-00	Valve			
79	2	1133-0744-01	Wheel hub			
80	2	1133-0196-01	Tire		20 x 8.00-8	
81	2	1133-0601-01	Key			
82	4	1133-0599-01	Flat washer			
83	2	1133-0600-01	Flat washer			
84	2	1132-0021-01	Retaining ring			
85	2	1133-0069-01	Hub cap			



STIGA
439
SPARE PARTS

Section: 12/39 MOTION DRIVE

Pos.	Quantity	Spare part No	Description	Kit	Notes	New
	8712					
1	1	1133-0634-01	Transaxle		Peerless 915-014	
2	1	1133-0328-01	Pulley			
3	1	9600-0050-00	Key			
4	1	9650-0016-04	Lock ring			
5	1	1133-0143-01	V-belt		L = 82.00"	
6	2	1133-0400-01	Axle bracket			
7	6	9988-3616-16	Screw			
8	6	9743-3621-32	Nut			
9	4	9988-3657-12	Screw			
10	4	9699-0028-02	Flat washer			
11	4	9743-3621-32	Nut			
12	1	1133-0712-01	Bracket			
13	1	9988-3651-12	Screw			
14	1	9743-3621-32	Nut			
15	1	9988-3625-16	Screw			
16	1	9677-0010-02	Lock washer			
17	1	9743-3621-32	Nut			
18	1	1133-0700-01	Shift lever			
19	2	1133-0646-01	Clamp			
20	4	9988-3616-16	Screw			
21	4	9743-3621-32	Nut			
22	1	1133-0517-01	Bracket			
23	2	9988-3516-16	Screw			
24	2	9743-3521-32	Nut			
25	1	1133-0508-01	Upper shift lever			
26	1	1133-0515-01	Torsion spring			
27	1	9599-0070-02	Split pin			
28	1	1133-0153-01	Knob			
29	1	1133-0525-01	Plastic cover			
30	1	1133-0542-01	Bracket			
31	2	1133-0006-01	Clip			
32	4	1133-0526-01	Screw			
33	1	1133-0699-01	Connecting rod-shif			
34	1	9599-0070-02	Split pin			
35	1	1133-0195-01	Ball joint			
36	1	9743-3721-32	Nut			
37	1	9683-0035-02	Lock washer			
38	1	9794-5231-02	Nut			
39	1	1133-0711-01	Shift lever bracket			
40	1	9699-0060-02	Flat washer			
41	1	9987-5016-16	Screw			